



TM Quick Connect Alert

Effective Immediately – All Canrig Torq-Matic wrenches using the “Quick Connect” base plate (P/N DT51521), must employ all sixteen base plate cap screws (P/N HH-1000NC-0275-GR8) in order to safely secure the wrench base plate to the wrench pocket.

The cap screws normally supplied by Canrig can also be sourced locally if required, “Grade 8, 1" UNC x 2.75" long hex head cap screw.” **This safety measure is to remain in effect until further notice.**

Attached is a drawing to help visually identify the "Quick Connect" base plate.

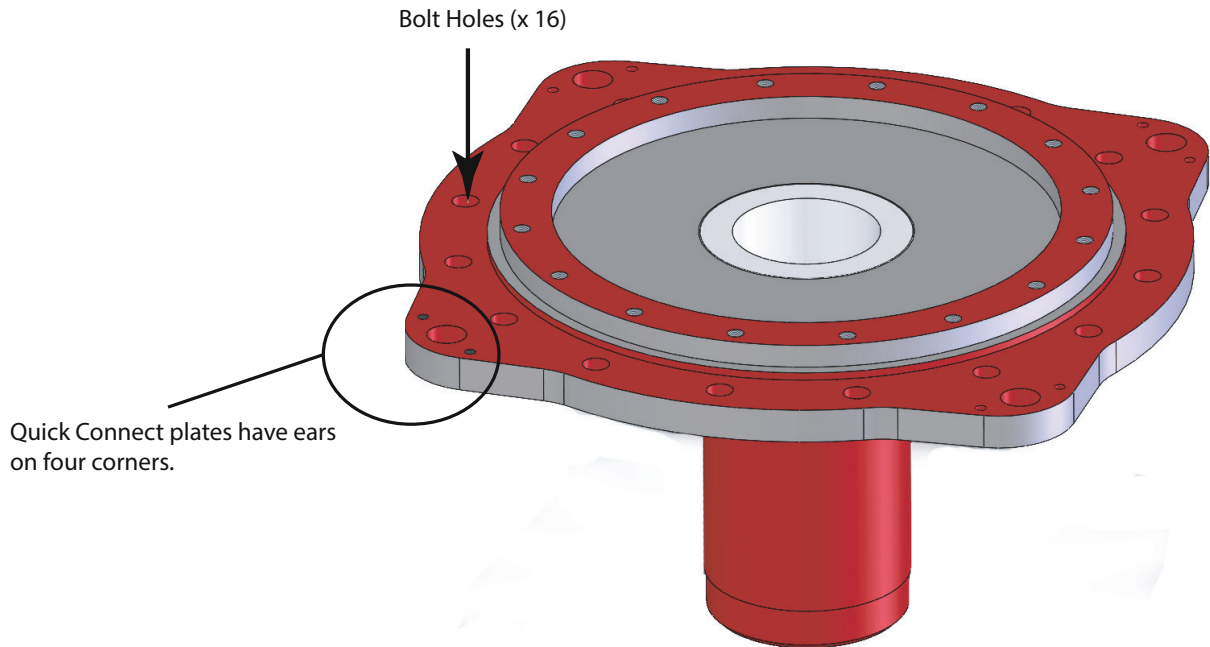


Figure 1: Quick Connect Base Plate (P/N DT51521) for Canrig Torq-Matic™ Floor Wrenches