



Model: PC 3000	December 17, 2012
Serial #: 1142 - 1160, 300158 - 300354	
Product Bulletin # Catwalk 24	

PC3000 Catwalk 6000 psi Hose Upgrade

Canrig is offering a new series of high-pressure hose lines on all existing PC3000 models. The new hose and fitting connection type increases the rated burst pressure of the high-pressure hose sections from 16,000 to 24,000 psi, and is expected to provide greater durability and reduced possibility of leakage.

Replace the following hoses with 6000 psi hose to increase the reliability of the overall hydraulic system:

- HOSE #127 - From ramp counter balance to A port on winch motor
- HOSE #128 - From bulkhead on catwalk to ramp counter balance
- HOSE #132 - From pump to high-pressure oil filter
- HOSE #133 - From main valve to pressure reducing valve
- HOSE #136 - From valve to bulkhead at ramp end
- HOSE #137 - Valve to high pressure oil filter

An upgrade kit (Canrig P/N AY50996) is required to perform this procedure. Refer to the drawings and the upgrade kit bill of materials located at the end of this document. Contact RigLine 24/7™ Support to order the upgrade kit.

Table 1: Upgrade Kit AY50996

Hose Number	QTY	Part Number	Description
127	1	F797TCJS6A162016-35-X-21	HOSE ASSY, 1, SWV STR, CODE 62 STR, 35
128	1	F797TCJSJ9161616-130.25-X-126	HOSE ASSY, 1, SWV STR, 90° SHT, 130.25
132	1	F797TCJSJS161616-142-X-138	HOSE ASSY, 1, SWV STR, SWV STR, 142
133	1	F797TCJSJS161616-27-X-23	HOSE ASSY, 1, SWV STR, SWV STR, 27
136	1	F797TCJSJ1161616-427.5-X-423	HOSE ASSY, 1, SWV STR, 90° LONG, 427.5
137	1	F797TCJSJ9161616-40.5-X-36	HOSE ASSY, 1, SWV STR, 90° SHT, 40.5
	1	H15-520601-16	UNION, BULKHEAD, MALE, 1 ORFS
	1	H15-520432-16	TEE, FEM SWV RUN 1 ORFS, MALE 1 ORFS
	4	H15-520120-16-20	ADAPTER, MALE 1 ORFS, MALE 1 1/4 ORB
	3	H15-520120-16-12	ADAPTER, MALE 1 ORFS, MALE 3/4 ORB
	2	H15-520120-16-16	ADAPTER, MALE 1 ORFS, MALE 1 ORB
	1	H15-LOEQ2-20	ELL 90°, CODE 62 FLANGE, MORFS 1 1/4
	1	H15-520220-16-16	ELL 90°, MALE 1 ORFS, MALE 1 ORB
	2	H15-070109-12	PLUG, 3/4 JIC, HEX HD
	2	H15-070109-16	PLUG, 1 JIC, HEX HD
	2	H15-070109-20	PLUG, 1-1/4 JIC, HEX HD

Required Tools

- A 6000 psi gauge with 7/16-20 UNF female end
- A set of open ended wrenches

Units Affected

This product bulletin applies to the catwalks listed below:

- PC3000 26", 42" serial numbers: PC3000-1142 to PC3000-1160
- PC3000 26", 42", 60" serial numbers: 300158 to 300354

Installation



Warning!

Proper lock-out and tag-out procedures **MUST** be followed.

1. Disconnect electrical power to the catwalk and use proper lock-out and tag-out procedures.
2. Close the ball valve on the hydraulic tank.
3. Place buckets and/or oil-absorbent pads under the work area to capture any hydraulic oil.
4. Use the test port on the pressure-reducing valve to check that the line pressure reads 0 psi. Refer to Figure 1.



Caution!

There is potential for the hydraulic oil between components to remain at pressure even when the unit has been turned off.



Figure 1: Gauge on Test Port

5. Disassemble and remove the existing hoses and associated fittings listed above starting with those at the valve bank. Use the provided caps to contain the oil in the hoses during removal. Drain the hoses and then reuse the caps.
6. Replace the fittings and hose sections as noted in the schematic detail figures and this procedure.
7. Once all affected hoses have been replaced and the ball valve reopened, reconnect power, establish pressure in the system, and check for leaks.
8. Manually test each function to ensure proper installation.

Schematic Sections

The following are detail views of the affected areas on hydraulic schematics 181100002.B and 181100003.B.

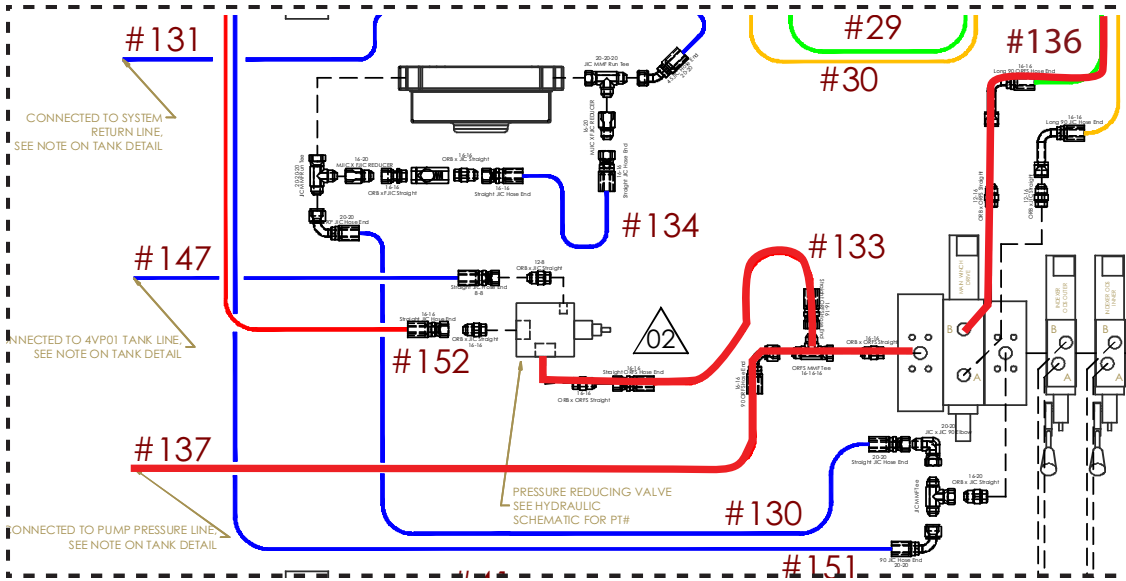


Figure 2: Hose #133, #136, and #137

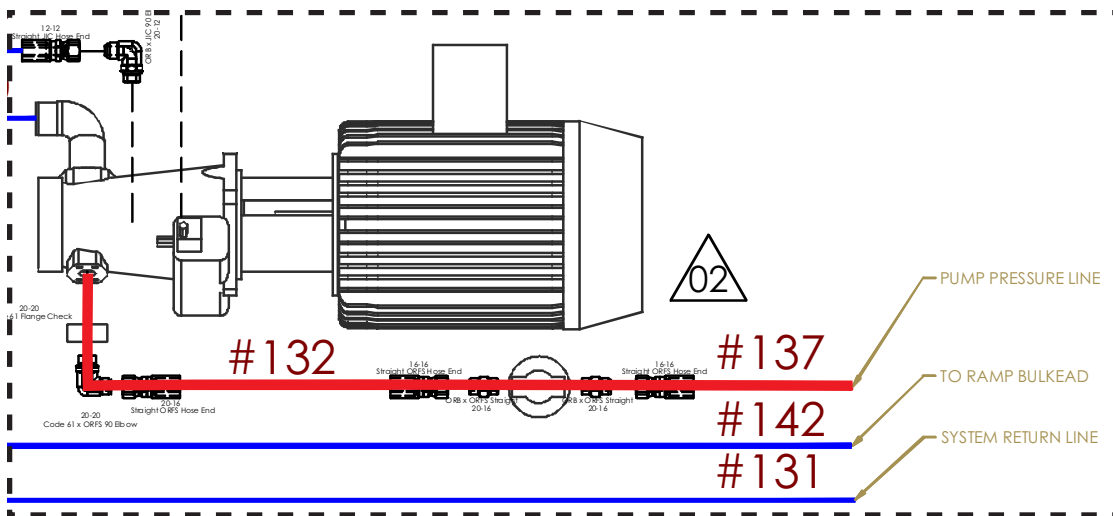


Figure 3: Hose #132 and #137

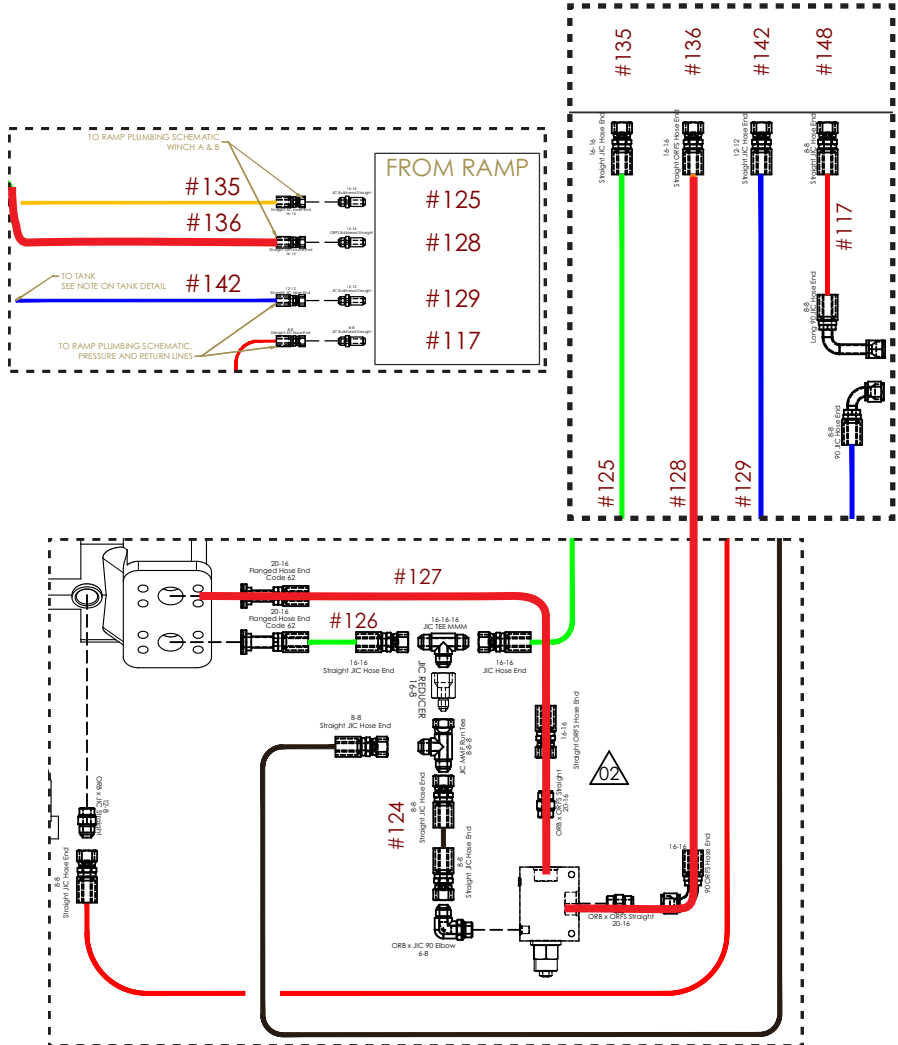
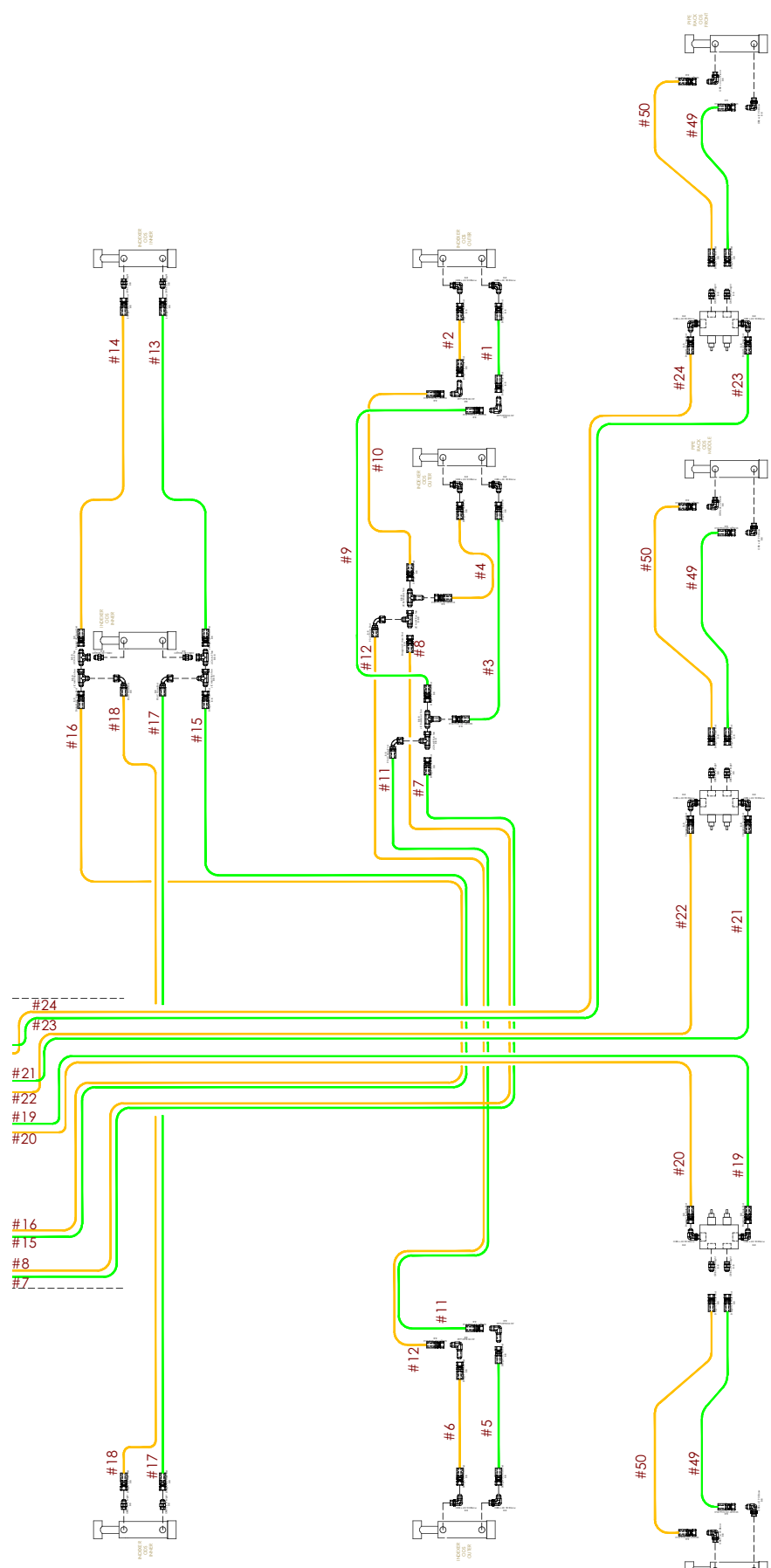


Figure 4: Hose #127, #128, and #136



No.	Y/M/D	BY	REVISIONS		DRAWING #	DATE ISSUED	SCALE	DRAWN BY	CHECKED BY	CIVIL	CANRIG CONSTRUCTION	APPROVED BY:	NOTICE	
												183100002		12/08/24
													PC3000 CATWALK ASSEMBLY	REV
													HYDRAULIC PLUMBING SCHEMATIC	02

HYDRAULIC PLUMBING
 ALL HYDRAULIC LINES TO BE LAPPED TO A MINIMUM OF 300 PSI. TO BE TESTED TO 1.5X RATED PRESSURE. ALL ADAPTERS TO BE O-RING SEALED. ALL O-RINGS TO BE O-RING COMPATIBLE. 250 PSI.

HYDRAULIC SPECIFICATIONS
 HYDRAULIC COLOR CODE
 Pressure Red
 Return Blue
 Work Port Green
 Hydraulic Black

ELECTRICAL ENCLOSURES
 All electrical enclosures will be per IEEE 318-2007. All electrical wiring will be per NEC. All electrical wiring will be per IEC 60364-5-52. All electrical wiring will be per IEC 60364-5-52. All electrical wiring will be per IEC 60364-5-52.

ELECTRICAL WIRING
 Digital Output Green
 Analog Output Yellow
 AC Closed Black
 AC Closed Green

